

POWER PACK



*Multi-Sensor
Multi-Load*

Control Hub for Low-voltage Sensor Systems

- q Converts line voltage to 12Vdc for sensors
- q Provides 250mA to power 8 – 16 sensors
- q Allows sensors to control line-voltage loads
- q Rugged 16A relay for load control

Three Operation Modes

- q Single sensor controlling single load
- q Multiple sensors controlling single load
- q Single sensor controlling multiple loads

Flexible Power Input

- q Accepts 110 or 220 Vac power
- q Wired before dimmers

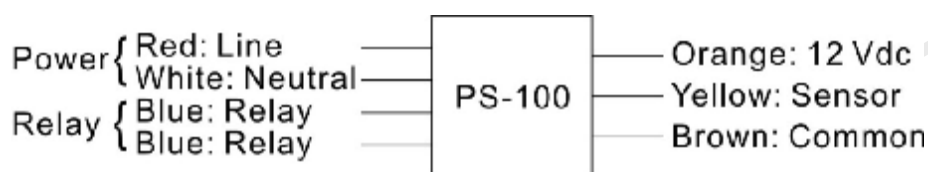
Mounting Options

- q Bolt mounted via provided holes
- q Junction-box mounted via built-in nipple

Operation Summary

The PS-100 has four line-voltage wires: Line, Neutral and two voltage-free relay contacts. The Line and Neutral provide power to a converter that provides regulated 12Vdc for low-voltage sensors. Sensors' low-voltage relay outputs are connected to the PS-100 so that when a sensor detects, the PS-100 relay is closed, so as to provide line-voltage power to a load that is connected via the PS-100 Relay wires. Several sensors can control one PS-100, or one sensor can control multiple PS-100s.

Wiring Diagram



POWER PACK

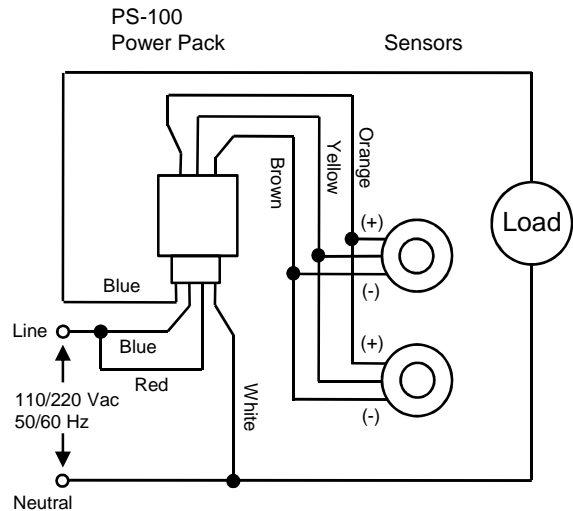
Wiring Information

The PS-100 supports system flexibility by allowing low-voltage sensor wiring instead of line-voltage wiring. The load and the PS-100 can be close, so that line-voltage wiring is minimized.

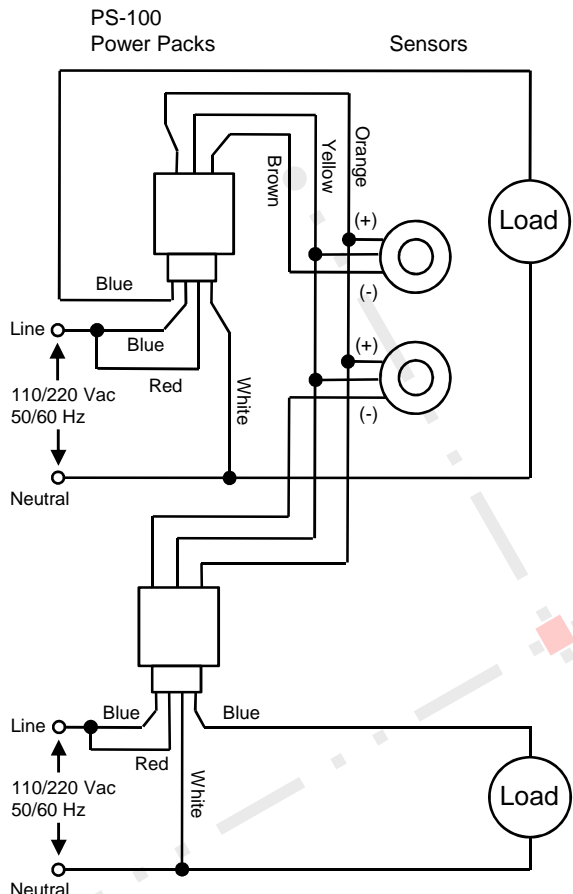
When multiple sensors are used, then their voltage-free relay contacts are connected in parallel between the power pack's orange and yellow wires, so that any sensor's relay closure can activate the load.

In the case of multiple power packs, only the orange and yellow wires are connected in parallel.

Wiring Diagram 1:
Multiple Sensors, Single Power Pack



Wiring Diagram 2:
Multiple Sensors, Multiple Power Packs



Specifications

Maximum Load	16A general 1000W Fluorescent 1000W Incandescent
Housing Material	Flame-retardant ABS
Power Input	100 - 130 Vac 220 - 240 Vac
Sensor Voltage	12Vdc +/- 5%
Sensor Current, maximum	250mA
Operating Temperature Range	-40 to +55 degrees C
Relative Humidity Range	0 - 95% non-condensing
Dimensions	76mm x 60mm x 38mm (H x W x D)
Warranty	1 year
Approvals and Qualifications	CE

All specifications are subject to change without notice.